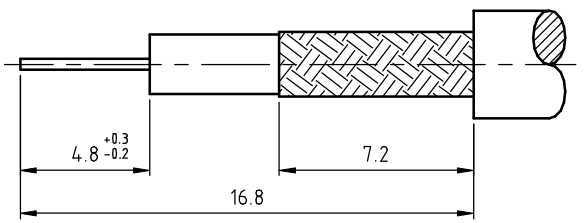
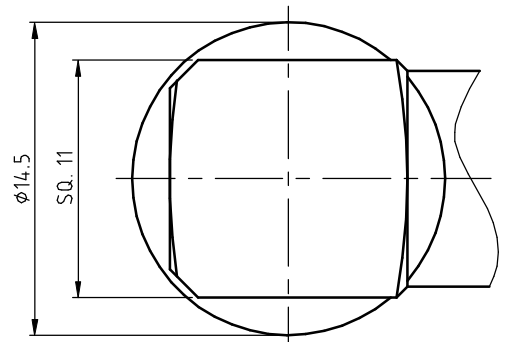
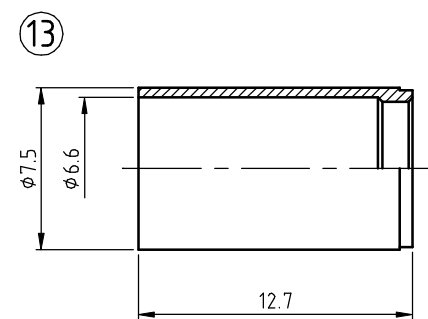
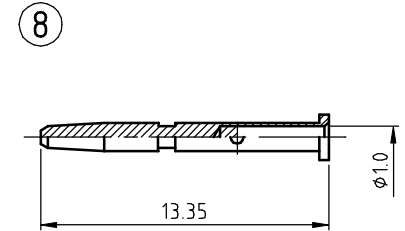
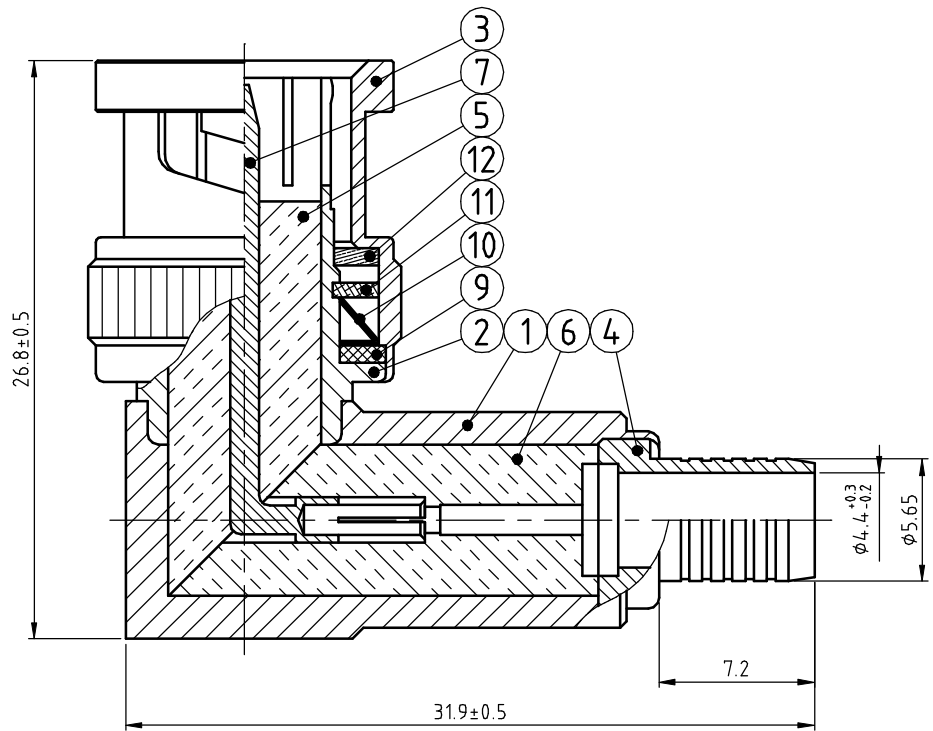


Cannon P/N	PACKAGE
167000-1400	SINGLE CONN.
167000-1406	BULK PACK
REFER DOC# PSG99329 FOR ASSEMBLY INSTRUCTION	

REVISIONS				
SYS	ECN No.	DESCRIPTION	DATE	APPROVED
THIS IS CAD DRAWING, DOES NOT REVISE MANUAL !!				
REF.	DESCRIPTION	MATERIAL	FINISH	
1	MAIN BODY	BRASS	NICKEL	
2	BODY	BRASS	NICKEL	
3	SHELL	BRASS	NICKEL	
4	CHASSIS	BRASS	NICKEL	
5	INSULATOR	TEFLON		
6	INSULATOR	TEFLON		
7	CONTACT PIN	BERYLLIUM COPPER	GOLD	
8	CONTACT PIN	BRASS	GOLD	
9	WASHER	BRASS	NICKEL	
10	SPRING	SK-5	NICKEL	
11	WASHER	BRASS	NICKEL	
12	GASKET	RUBBER		
13	FERRULE	BRASS	NICKEL	



RECOMMENDED CABLE STRIPPING DIM'S

TOLERANCE m/m .000 ±0.10 .00 ±0.15 .0 ±0.25 0. ±0.5 ANGLE ±1.0°	DRAWN	DATE	PART NO. <i>SEE TABLE</i>
	CHECKED <i>Rex Jang</i>	DATE 4/6/01	
	APPROVED <i>Dixon Chen</i>	DATE 4/6/01	ITT Cannon TITLE BNC CRIMP PLUG, 75-OHM FOR RG734 CABLE, R/A
	SIZE A3	UNIT MM SCALE N.A.	
UNLESS OTHERWISE SPECIFIED	SHEET	1 OF 1	DRAWING NO. RFMW-PSG99295-00
			REV A